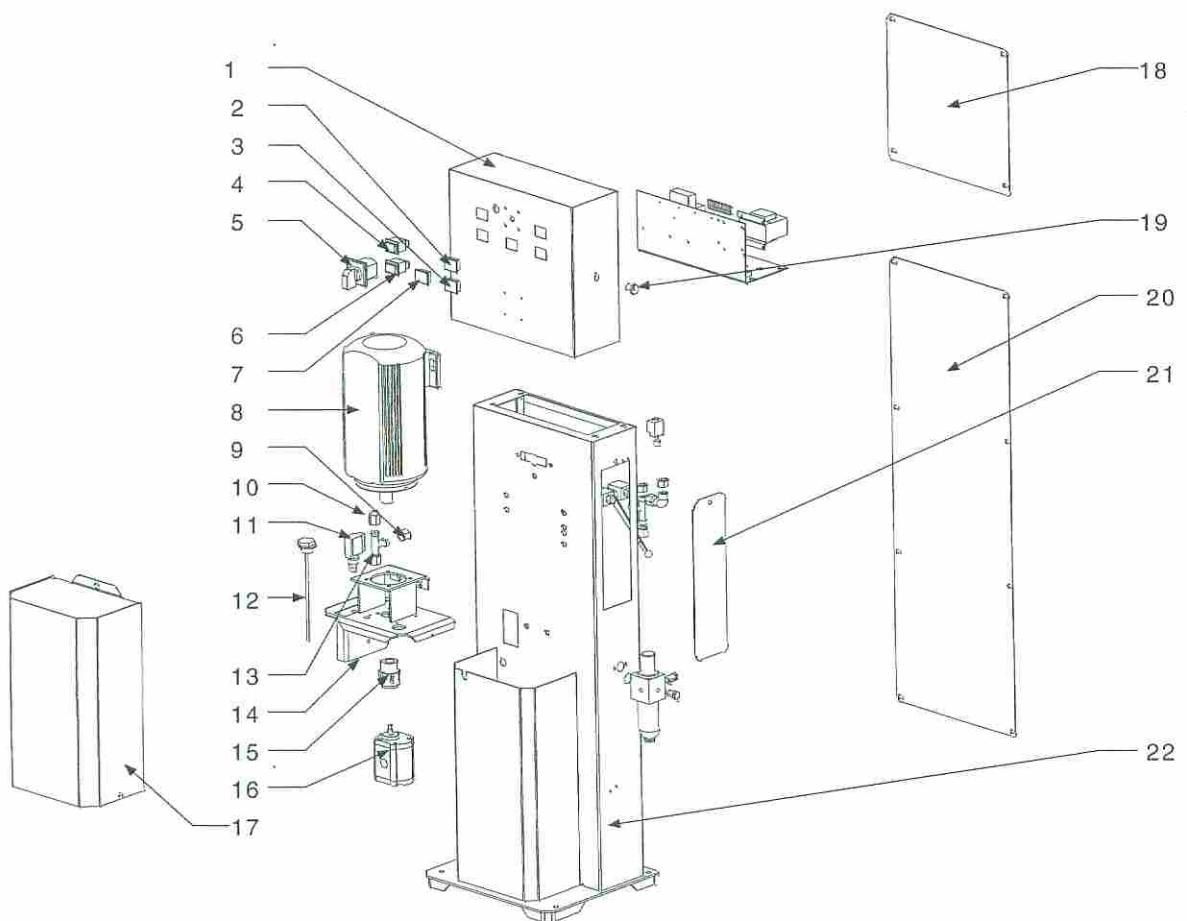


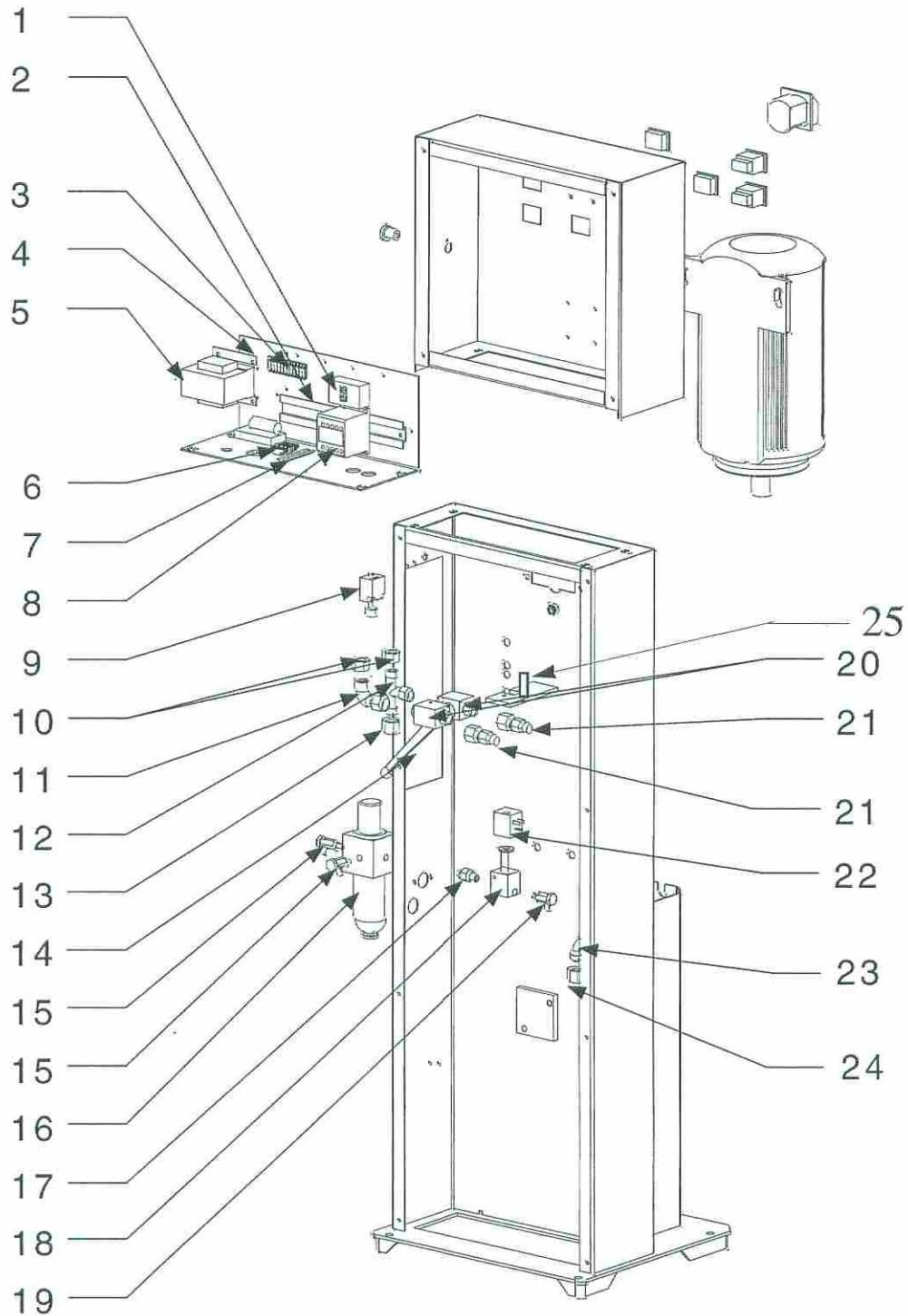
Spare parts list command unit frontside



Spare parts list command unit frontside

Number	Description	Code
1	command unit upper side, welding piece	030ULN21015
2	PVC-cap	990321
3	PVC-cap	990321
4	button "Up" T1	990334
5	main switch	990403
6	button "Down" T2	990334
7	PVC-cap	990321
8	Motor 380 V	990303
9	union nut	980208
10	closing cap	980072
11	JUNG-magnetic valve witch coil	980478 (valve) 980479 (coil)
12	oil level gage	980098
13	Male Stud Run Tee	980440
14	pump carrier, welding piece	030ULN01037
15	coupling	970290
16	gear pump 3ccm	980243
17	motor covering, welding piece	030ULN01025
18	covering, upper part	025SPR21019
19	fuse	990124
20	covering, lower part	025SPR21012
21	lid	030ULN01033
22	command unit, lower part, welding piece	040ULN01003

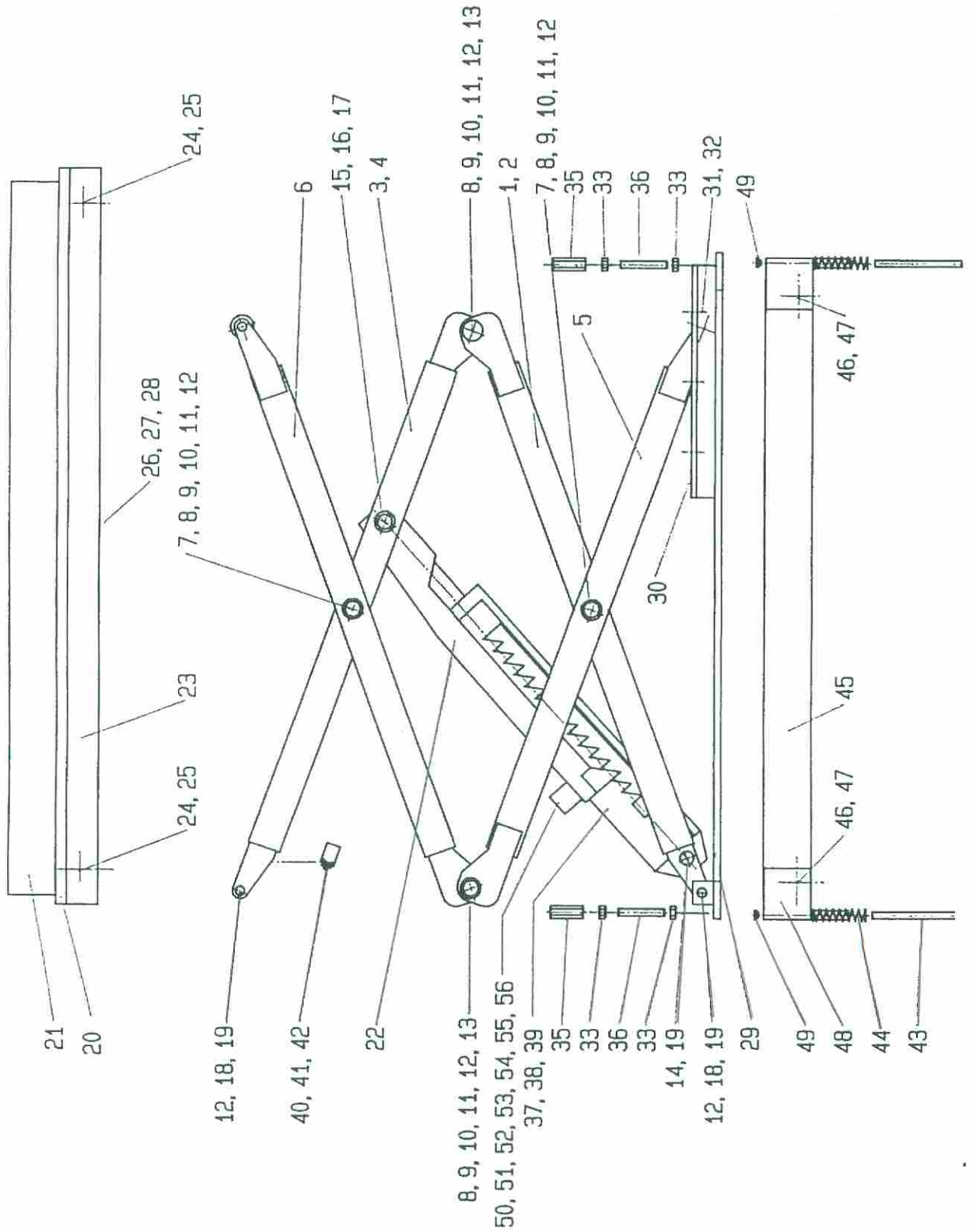
Spare parts list command unit backside



Spare parts list command unit backside

Number	Description	Code
1	time-relay	990212
2	carrying rail	990020
3	luster terminal	990037
4	sheet	040ULN03055
5	transformer witch rectifier	990319
6	binding post	990022
7	binding post of protective conductor	990023
8	Up conductor 24 V DSGL 7-01	990215
9	bypass switch	990296
10	union nut	980064
11	adjustable male stud elbow	980610
12	adjustable male stud branch tee	980016
13	union nut	980064
14	lever	PW070091559
15	banjo elbow coupling	960045
16	filter pressure relief valve	960039
17	soluble double nipple	960044
18	pneumatic valve	960047
19	banjo elbow coupling	960045
20	ball valve	980513
21	Standpipe reducer	980693
22	magnetic coil	960049
23	bulkhead elbow coupling	980489
24	union nut	980220
25	pressure switch	980371

Spare parts list bottom rails, scissors, carrying plate, cylinder



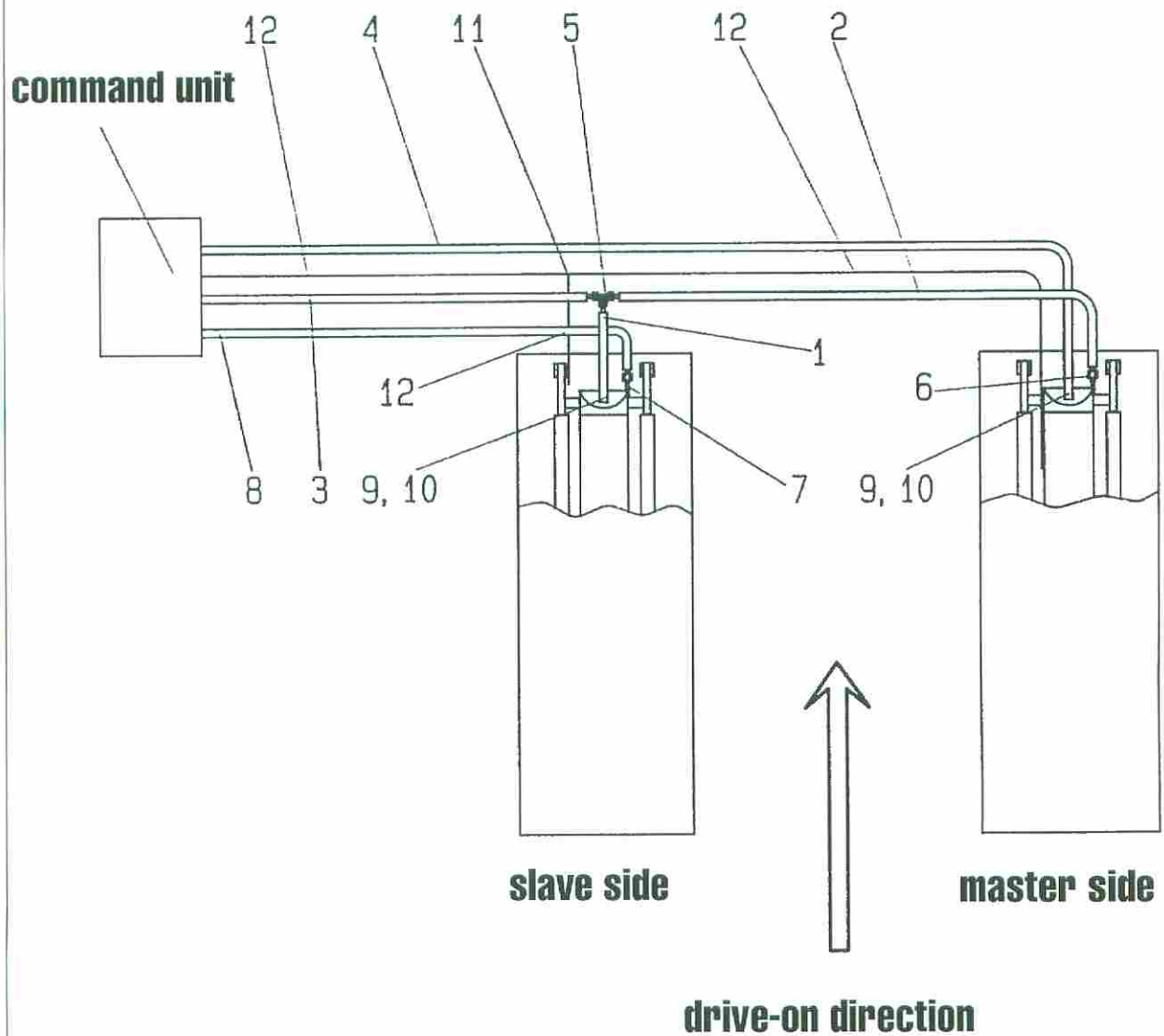
Spare parts list bottom rails, scissors, carrying plate, cylinder

Nr	Description	Code	piece numb.
1	inside scissors lower side (master side)	025 AL 46003J	1
2	inside scissors lower side (slave side)	025 AL 46003J	1
3	inside scissors top side (master side)	025 AL 46019J	1
4	inside scissors top side (slave side)	025 AL 46019J	1
5	outside scissors lower side	025 AL 26037J	2
6	outside scissors top side	025 AL 26055J	2
7	hinge bolt long; middle position	025 AL 06082	8
8	DU-bearing	970019	56
9	castle nut	9MU937M24X1,5ZN	16
10	washer	9SC125M24ZN	16
11	circlip	9SP94DM05X050ZN	16
12	lubricator nipple	970024	36
13	hinge bolt short; outside	025 AL 06091	8
14	hinge bolt cylinder lower side	025 AL46102	2
15	hinge bolt cylinder top side	025 AL 06103	2
16	washer	9SC125M30ZN	4
17	circlip	9SP94DM05X50ZN	4
18	hinge bolt of fixed bearing	025 AL 06107	8
19	threaded pin	9GS915M08x12ZN	20
20	carrying plate	025 AL 68102	2
21	layer white	970207	2
22	ratchet	032 UL 10003	2
23	switch off angle	9025 AL61176BE	2
24	pan-head screw	9FL921M06X012ZN	2
25	hexagon nut	9MU934M06ZN	2
26	push-button	990176	2
27	cylinder screw	9Z912M04X016ZN	4
28	washer	9SC125M04ZN	4
29	bottom rail	025 AL 65025J-1	2
30	guidance pad	025 AL 65015J	4
31	cylinder screw	927984M06X010ZN	12
32	washer	9SC125M06ZN	8
33	hexagon nut	9MU934M16ZN	16

Diese Ersatzteilliste ist gültig ab der Hebebühne Nummer :

Lfd. Nr.	Benennung	Bestellnummer	Stückzahl
35	Aufsitzhülse	9032 UL 25011	8
36	Gewindestange	025 AL 65003S3	8
37	Differentialzylinder	025 AL 62001J	1
38	Druckzylinder	025 AL 62039J	1
39	DU - Lager	970069	8
40	Grenztaster	990004	1
41	Zylinderschraube	9Z912M04X030ZN	2
42	Scheibe	9SC125M04ZN	2
43	Führungsbolzen	025 AL 31009ZN	4
44	Druckfeder	9DFD-272AZN	4
45	Schutzleiste	9025 AL 51023J	2
46	Zylinderschraube	9Z912M08X050ZN	4
47	Sechskantmutter Selbstsichernd	9MU985M08ZN	4
48	Führungsrohr	025 AL 51030	4
49	Verschlußstopfen	970196	4
50	Pneumatikzylinder komplett	030 UL 41145	2
51	Pneumatikzylinder-Gehäuse	960008	2
52	Senkschraube	9SE7991M05X025ZN	8
53	Kolben	9030 UL 41168	2
54	Lagerbuchse	9030 UL 21170	2
55	Airzet Dichtung	960001	2
56	Gerade Verschraubung	960009	2

Spare parts list of hydraulic and pneumatic hoses



Spare parts list of hydraulic and pneumatic hoses

Nr	Description	Code	piece numb.
1	hydraulic hose 400 mm	980728	1
2	hydraulic hose 1900 mm	980726	1
3	hydraulic hose 2200 mm	980734	1
4	hydraulic hose 4000 mm	980733	1
5	T-connection	980020	1
6	hydraulic tube master side	025 AL 42071J	1
7	hydraulic tube slave side	0f25 AL 42072J	1
8	return line 2600 mm	980745	1
9	coupling (connection of cylinder lower s.)	980014	2
10	elbow connection (connection of cyl. top s.)	980005	2
11	pipe-break safety	980178	2
12	T-connection	960014	1
13	air hose	960007 (with longitude data)	