

ELECTROMECHANICAL 2-POST LIFT

SMART LIFT

THE SMART ORIGINAL



THE ORIGINAL NUSSBAUM LIFT

- ✓ Flexible in height: Ideal for low ceiling workshops
- ✓ Asymmetric lifting arms and carriage for optimal door clearance
- ✓ Small footprint - Saves space
- ✓ CE-Stop - no disturbing foot guards

3000 KG | 3500 KG | 4000 KG



ELECTROMECHANICAL 2-POST LIFT

SMART LIFT

Sturdy, reliable and ready

The SMART LIFT is THE classic NUSSBAUM lift: it is the result of 40 years experience in the manufacturing of lifts. Featuring a tried and tested design. More than 100,000 units are installed worldwide.

SAFE

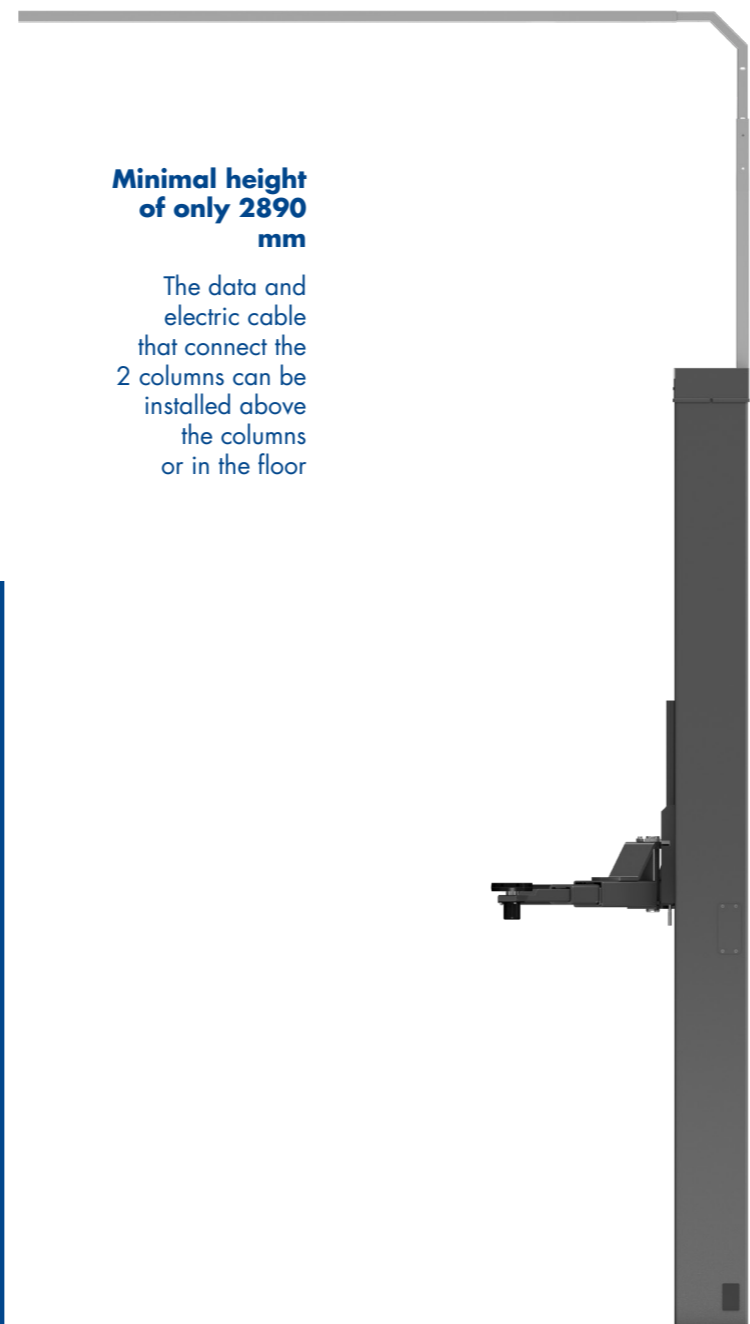
- ✓ Automatic locking of the arms
- ✓ Safety nut under the carrying nut
- ✓ Optical control of the wear out of the carrying nut

LONG LASTING

- ✓ Low wear Nylatron-nut guarantees a quiet operation
- ✓ Resistant and almost wear-free Poly-V belt

Minimal height of only 2890 mm

The data and electric cable that connect the 2 columns can be installed above the columns or in the floor



Lifting arm versions available

- For SMART LIFT 3 and 3,5 tons

DT (3 STAGE ARMS)

The short lifting arm has 3 stages, providing a large adjustable range and therefore enables to lift small and wide vehicles.

- For SMART LIFT 3,5 tons only

MM (MINI-MAX ARMS)

Adapter for deep drawn side skirt and off-road vehicles. Quick vertical multilevel adjustment, hand and foot operated.

SPORT CAR ARMS (SC)

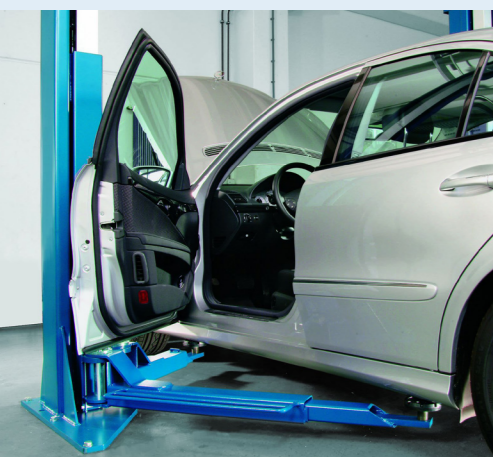
Extremely flat and sturdy arms made of solid material enable the lifting of very low and wide sports cars.

- For SMART LIFT 4 tons

UNIVERSAL ARMS

Extended 3 stage lifting arms for lifting cars and vans up to Mercedes Sprinter with long wheelbase on alternative pick up points.

SMART LIFT: THE ONE LIFT YOU NEED



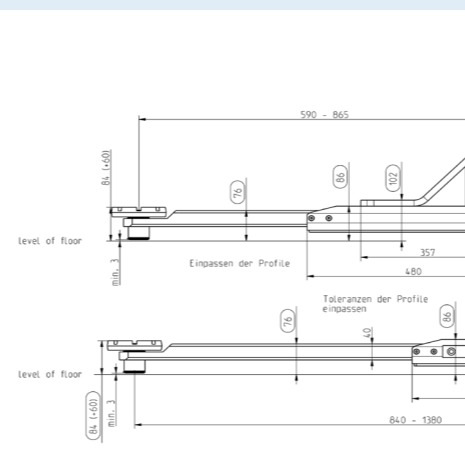
Wide opening of the vehicle's front doors



3 stage lifting arm



Mini-Max lifting arms : easy and convenient to lift off-road vehicles as well as low clearance vehicles



SC (Sports car arms): extremely flat construction. Very sturdy, made of solid material. Especially suitable for very low and wide sports cars.

THE SMART CHOICE

- Flexible: No ground connection between columns and adjustable height of top connection
- Suitable for a large range of vehicles
- Distance between the columns of min. 2560mm
- Pick-up points starting at 75 mm*
- Short lifting arms swivelling 180°



MAKE YOUR SMART CHOICE

SMART LIFT		2.30 SL	2.35 SL	2.40 SL
Lifting capacity (kg)		3000	3500	4000
Lifting/lowering time approx. (sec)		40/40	46/40	46/40
Lifting height (mm)		2010	2060	2060
Lowest lifting point (mm)	Version DT	95-140	102-166	-
	Version MINI-MAX	-	75-185	-
	Version SC	-	84-144	-
	Version UNIVERSAL	-	-	102-166
Total height column (mm)		2890	2890	2890
Top connection (mm)		3720-4120	3685-4170	3685-4170
Total width (mm)	Version DT	3100	3230	-
	Version MINI-MAX	-	3350	-
	Version SC	-	3350	-
	Version UNIVERSAL	-	-	3350
Drive-through width (mm)	Version DT	2314	2400	-
	Version MINI-MAX	-	2520	-
	Version SC	-	2520	-
	Version UNIVERSAL	-	-	2514
Column distance (mm)	Version DT	2560	2650	-
	Version MINI-MAX	-	2770	-
	Version SC	-	2770	-
	Version UNIVERSAL	-	-	2770
Arm-extraction long (mm)	Version DT	945-1495	940-1495	-
	Version MINI-MAX	-	1000-1480	-
	Version SC	-	840-1380	-
	Version UNIVERSAL	-	-	1130-1840
Arm-extraction short (mm)	Version DT	480-870	570-1160	-
	Version MINI-MAX	-	600-1000	-
	Version SC	-	590-865	-
	Version UNIVERSAL	-	-	570-1160
Motor (kW)		2 x 1,5	2 x 1,5	2 x 1,5

ACCESSORIES



Height adapter 44 mm



Height adapter 155-245 mm



U-form adapter 150-233 mm

More accessories available