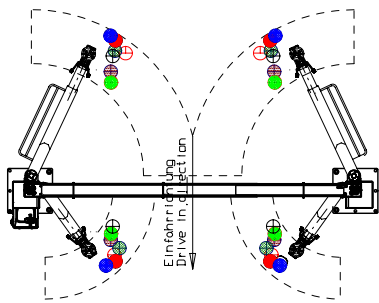


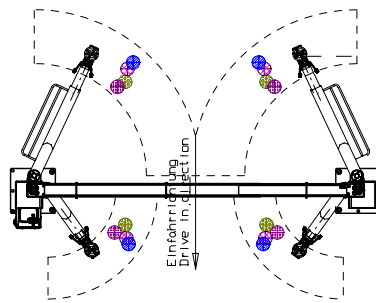
### BMW

- ⊕ E52 Z8
- ⊕ E39 Ser BMW
- ⊕ Z1
- ⊕ Mini Cooper
- ⊕ E65 7er BMW
- ⊕ 3er BMW
- ⊕ RR01
- ⊕ Z4
- ⊕ BMW 750i (Typ E38)



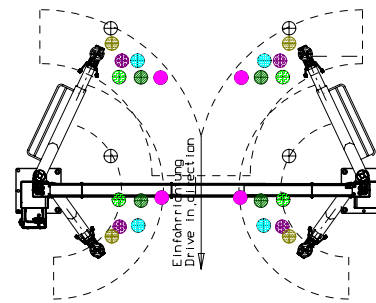
### VW

- ⊕ Tauran
- ⊕ Phaeton
- ⊕ Touareg/Cayenne
- ⊕ VW T4 kurz
- ⊕ VW T5 kurz
- ⊕ Seat Leon / Altea
- ⊕ Seat Toledo



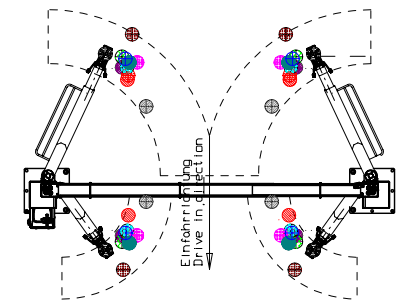
### OPEL

- ⊕ Opel Agila
- ⊕ Opel Corsa
- ⊕ Opel Vectra Combi 2007
- ⊕ Opel Insignia



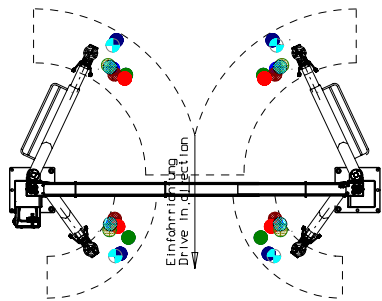
### Allgemein

- ⊕ Megane II
- ⊕ Nissan GTR
- ⊕ Peugeot 207 SW
- ⊕ Ford Fiesta
- ⊕ Fiat 500
- ⊕ Landrover Defender 110 300TDI
- ⊕ LS600



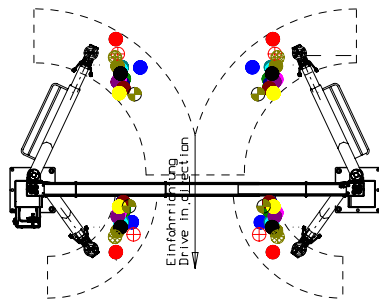
### Mercedes

- ⊕ smart
- ⊕ R-Klasse
- ⊕ CLK
- ⊕ Vito
- ⊕ S-Klasse lang
- ⊕ G-Modell
- ⊕ B-Klasse
- ⊕ M-Klasse
- ⊕ SLK
- ⊕ E-Klasse



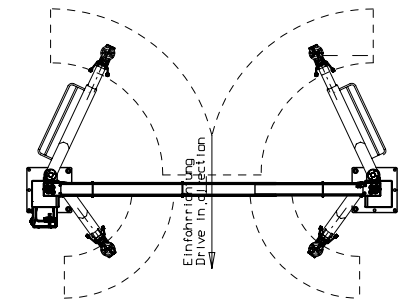
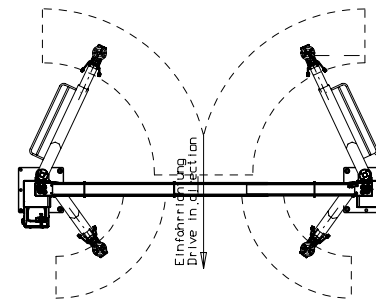
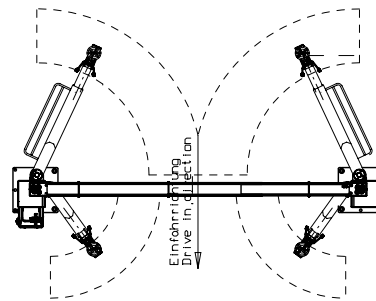
### AUDI

- ⊕ AUDI Q7
- ⊕ A2
- ⊕ A3 2004>
- ⊕ Audi TT
- ⊕ AB lang
- ⊕ AUDI RB
- ⊕ AUDI Q5
- ⊕ AUDI A5



### Toyota

- ⊕ Cressida
- ⊕ Toyota IQ
- ⊕ Yaris (2000)
- ⊕ Land Cruiser (GX-R)
- ⊕ RAV 4
- ⊕ Corolla 1988-1991
- ⊕ Echo (2000)
- ⊕ Hiace (short)
- ⊕ Yaris
- ⊕ MX-81/MX-83 1989-1992
- ⊕ Crown 1996-1999
- ⊕ Corolla ab 2004
- ⊕ XA seit 2004
- ⊕ Avensis
- ⊕ Camry
- ⊕ Landcruiser



HL 2.30 NT MM

mit verschiedenen Fahrzeugen

05.03.14/M.G.

7597-1\_NB

**Nussbaum**

www.nussbaum-lifts.de